

Parts catalogue

LAWN MOWER

(EXPORT MODEL)

GR535(2Action)

GR536(2Action)

MODEL	CODE
GR535	0278-
GR536	0279-

CONTENTS

Fig. 1 GEAR CASE -----	1
Fig. 2 GEAR CASE INSIDE, OUTSIDE-----	3
Fig. 3 SAFETY COVER -----	5
Fig. 4 WHEEL -----	7
Fig. 5 HANDLE -----	13
Fig. 6 BLADE AND BAG -----	17

OREC CO.,LTD

Update : April 2009

Fig.1 Gear Case

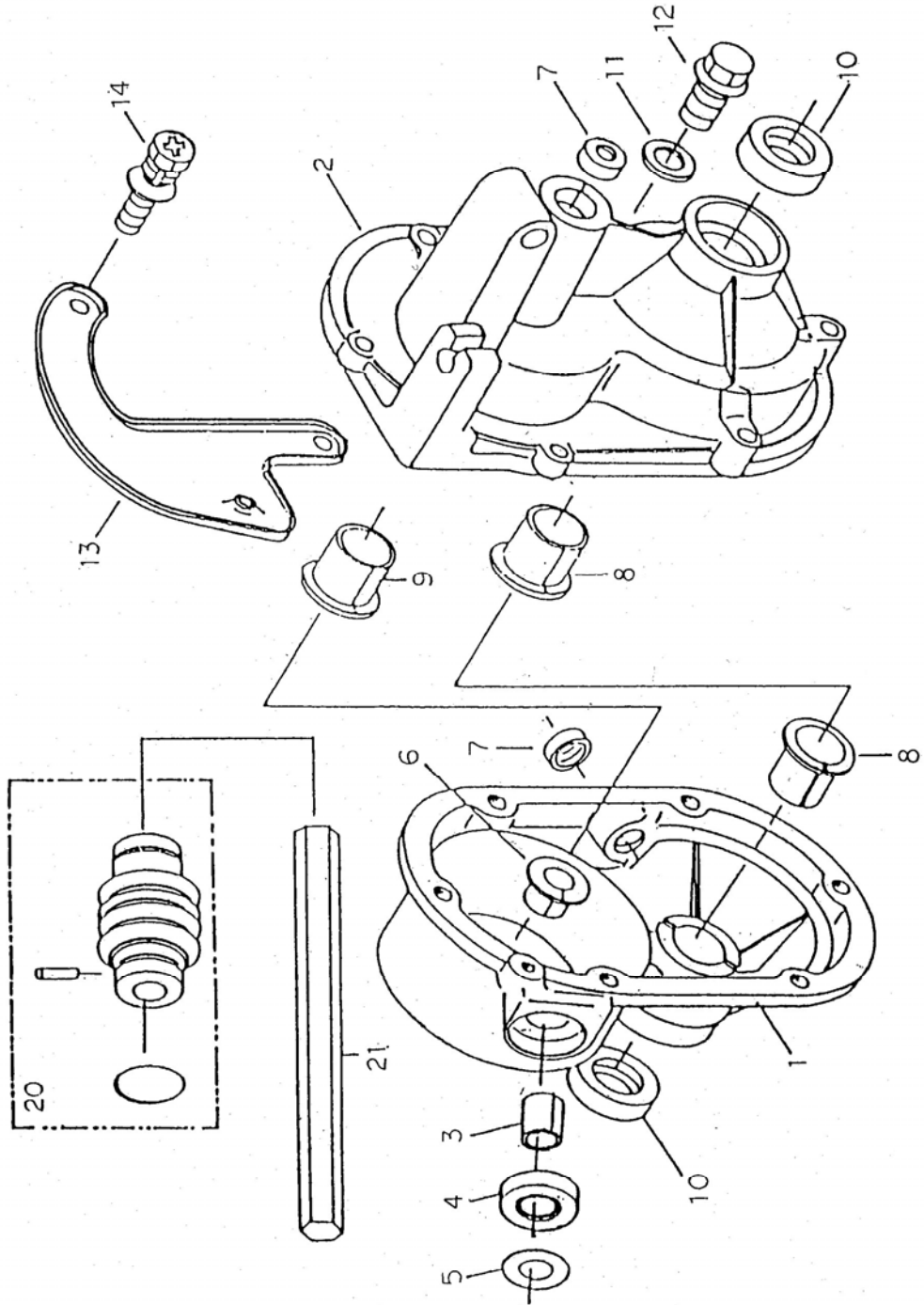


Fig.1 Gear Case

Ref.	Parts No.	Parts Name	Quantity		Remarks
			GR535	GR536	
			(2Action)	(2Action)	
	0278-00000	Gear Case Assy	1	1	Note 1
1	80-1020-101-00	Gear Case (Inside)	1	1	
2	80-1020-103-00	Gear Case (Outside)	1	1	
3	89-3512-010150	DBB Bush 10.15	1	1	
4	89-5121-102007	Oil Seal UE 10.20.7	1	1	
5	83-1210-352-00	Thrust Washer 10*22*1.0	1	1	
6	89-3511-012100	DU Bush 12.10.20F	1	1	
7	89-5131-081404	Oil Seal KE 8.14.4	2	2	
8	89-3511-015150	DU Bush 15.15.23F	2	2	
9	89-3511-016150	DU Bush 16.15.24F	1	1	
10	89-5121-152507	Oil Seal UE 15.25.7	2	2	
11	83-1020-349-00	Copper Packing 10.5*18*1.6	1	1	
12	89-1254-100143	Flange Mini Hexagonal Bolt M10*14 P=1.2	1	1	
13	80-1020-198-10	Lock Arm Bracket B	1	1	
14	89-1144-060223	Hexagonal Bolt with Cross Hole (PW.SW)	6	6	
20	80-1020-515-00	Universal Joint NC-10-37C1	2	2	
21	0278-00200	Drive Shaft 140L	1	1	

MEMO

Note 1: Transmission ASSY consists from parts 1 to 20(this page) and 1 to 23,25(next page).

Note 2: Only for steel wheel type

Note 3: Only for side guard type

***1) Interchangeable**

***2) Serial Number : GR535 : ~VG07C01196 GR536 : ~VH07C00558**

***3) Serial Number : GR535 : VG07J01245~ GR536 : VH07J00559~**

***6) Serial Number : GR535 : ~VG07J01264 GR536 : ~VH07J00638**

***7) Serial Number : GR535 : VG07L01765~ GR536 : VH07L00639~**

***4) Serial Number : GR535 : ~VG07M02274**

***5) Serial Number : GR535 : VG08K01142~**

Fig.2 Gear Case (Inside, Outside)

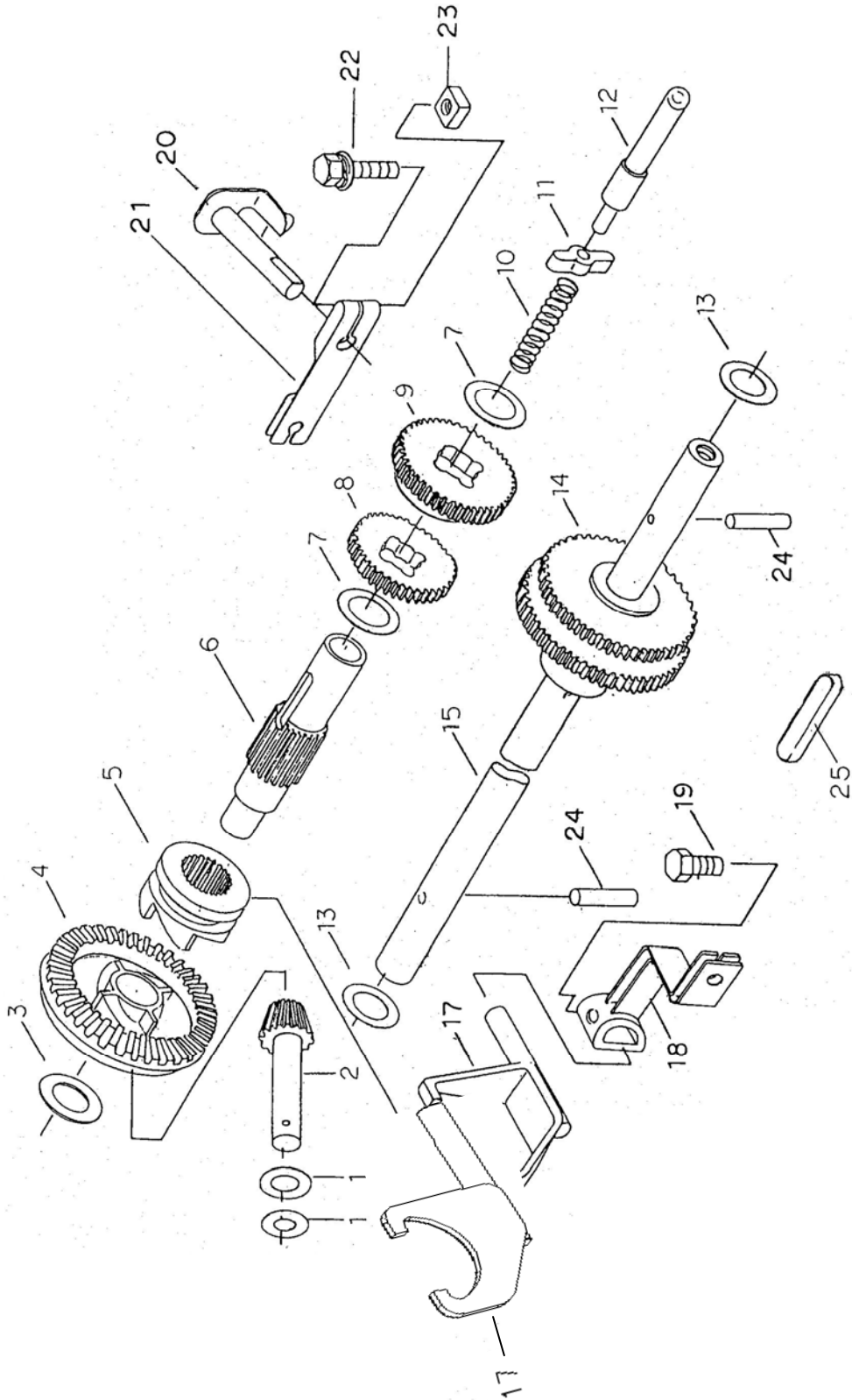


Fig 2 Gear Case (Inside, Outside)

Ref.	Parts No.	Parts Name	Quantity		Remarks
			GR535	GR536	
			(2Action)	(2Action)	
1	83-1020-351-00	Thrust Washer 10*18*1.0	2	2	
2,4	0278-00300	Pinion Bevel & Bevel Gear Assy	1	1	
2	0278-00400	Pinion Bevel	1	1	
3	83-1020-355-00	Thrust Washer 12*24*1.0	1	1	
4	0278-00500	Bevel Gear 53-tooth	1	1	
5	80-1020-119-10	Clutch for Driving	1	1	
6	80-1020-118-20	Main Shaft	1	1	
7	83-1020-363-00	Thrust Washer 16*24*1.0	2	2	
8,9	80-1020-125-10	Gear Assy (Low and High)	1	1	
8	80-1020-123-10	Gear (Low)	1	1	
9	80-1020-121-10	Gear (High)	1	1	
10	80-1020-161-00	Driving Shift Spring	1	1	
11	80-1020-108-00	Change Guide	1	1	
12	80-1020-107-00	Driving Change Shaft	1	1	
13	83-1020-361-00	Thrust Washer 15*24*1.0	2	2	
14	0230-00300	Axle Gear (Key Type)	1	1	
15	0278-00100	Axle (Key Type)	1	1	
17	80-1020-113-00	Clutch Fork	1	1	
18	80-1020-153-10	Clutch Arm	1	1	
19	89-1113-060123	Hexagonal Bolt (8T) M6*12	1	1	
20	80-1020-106-00	Driving Shift Arm	1	1	
21	80-1020-193-10	Change Arm	1	1	
22	89-1144-060253	Hexagonal Bolt with Cross Hole (PW.SW)	1	1	
23	83-1020-198-00	Square Nut M6	1	1	
24	89-2142-050250	Parallel Pin 5*25	2	2	
25	89-2150-050330	Key 5*33 (round)	1	1	

Fig.3 Safety Cover

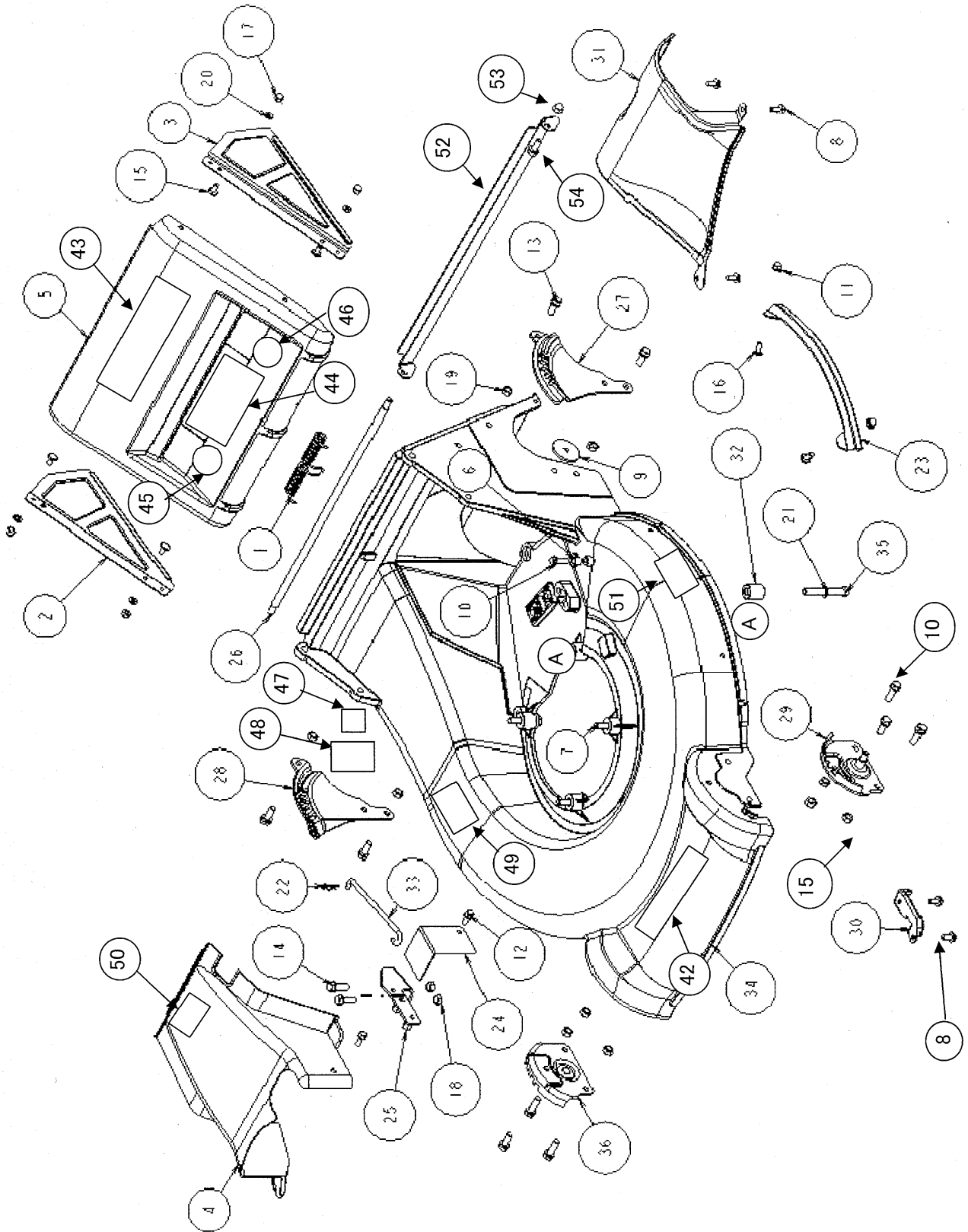


Fig 3 Safety Cover

Ref.	Parts No.	Parts Name	Quantity		Remarks
			GR535	GR536	
			(2Action)	(2Action)	
			GXV 160	GXV 160	
1	80-1020-753-00	Rear Cover Spring	1	1	
2	80-1020-754-20	Side Plate (Left)	1	1	
3	80-1020-755-20	Side Plate (Right)	1	1	
4	80-1022-733-10	Gear Case Cover (H)	1	1	
5	80-1022-751-00	Rear Cover	1	1	*2)
	0278-50800	Rear Cover	1	1	*1) *3)
6	80-1024-952-00	Spacer 6*10		1	
7	83-1020-116-00	Hexagonal Bolt 5/16-24*45UNF (H)	3	3	
8	83-1020-148-00	Tapping Bolt M6*14	5	5	
9	83-1020-314-00	Washer 8*40*2.3		1	*2)
	0279-30300	Plate for Rear Wheel Guide		1	*1) *3)
10	83-1515-148-00	Tapping Bolt M6*22		1	
11	83-1575-189-00	Flange Cap Nut M6	4	4	Note 3
12	89-1139-060163	Hexagonal Bolt (PWSW) M6*16	2	2	
13	89-1232-080203	Mini Hexagonal Bolt (SW) M8*20	10	2	
14	89-1232-080252	Mini Hexagonal Bolt (SW) M8*25	2	2	
15	89-1390-060123	Welded Bolt M6*12	4	4	
16	89-1390-060142	Welded Bolt M6*14	4	4	Note 3
17	89-1571-060043	Cap Nut M6	4	4	
18	89-1611-080042	Mini Hexagonal Nut M8	2	2	
19	89-1611-080043	Mini Hexagonal Nut M8	10	2	
20	89-1750-060003	Spring Washer 6	4	4	
21	89-1750-080003	Spring Washer 8	4	4	
22	89-2131-080002	Snap Pin 8	1	1	
23	0230-20700	Side Guard	2	2	Note 3
24	0230-60110	Shaft Cover 53H	1	1	*2)
	0278-60100	Shaft Cover	1	1	*1) *3)
25	0230-60200	Lock Arm Bracket A	1	1	
26	0278-20700	Rear Cover Shaft	1	1	
27	0278-30300	Rear Wheel Adjusting Plate (L) 8inch	1	1	
28	0278-30400	Rear Wheel Adjusting Plate (R) 8inch	1	1	
29	0278-30700	Front Wheel Adjusting Plate (L)	1	1	
30	0278-50300	Blade Wire Setting	1	1	
31	0278-50400	Guide 535	1	1	
32	0278-50500	Collar for Engine Setting	1	1	
33	0278-50900	Lock Arm	1	1	
34	0278-51100	Cover Pro (Body) 535	1	1	Note 3
	0278-50100	Cover (Body) 535	1	1	
35	0278-70800	Bolt 5/16-24*63UNF (H)	1	1	
36	0278-30800	Front Wheel Adjusting Plate (R)	1	1	
42	0278-70400	Label (Large)	1	1	
43	80-1020-929-00	Notice Label (Cover)	1	1	
44	0223-76100	Label, Caution (Large)	1	1	
45	0215-83200	Label, Protection Equipment	1	1	
46	0223-72910	Attention Mark for Slope	1	1	*1)
47	80-1010-933-00	Label, CE	1	1	
48	80-1020-933-00	Label, Noise 98db	1	1	
49	80-1488-926-10	Label, Caution for Knife	1	1	
50	80-1022-909-00	Notice Label (Cover)	1	1	
51	80-1020-926-00	Danger Label	2	2	
52	0278-51600	Extension Flapper	1	1	*3)
53	89-1132-060122	Hexagonal Bolt (SW) M6*12	2	2	*3)
54	89-1571-060042	Cap Nut M6	2	2	*3)

Fig.4 Wheel (GR535)

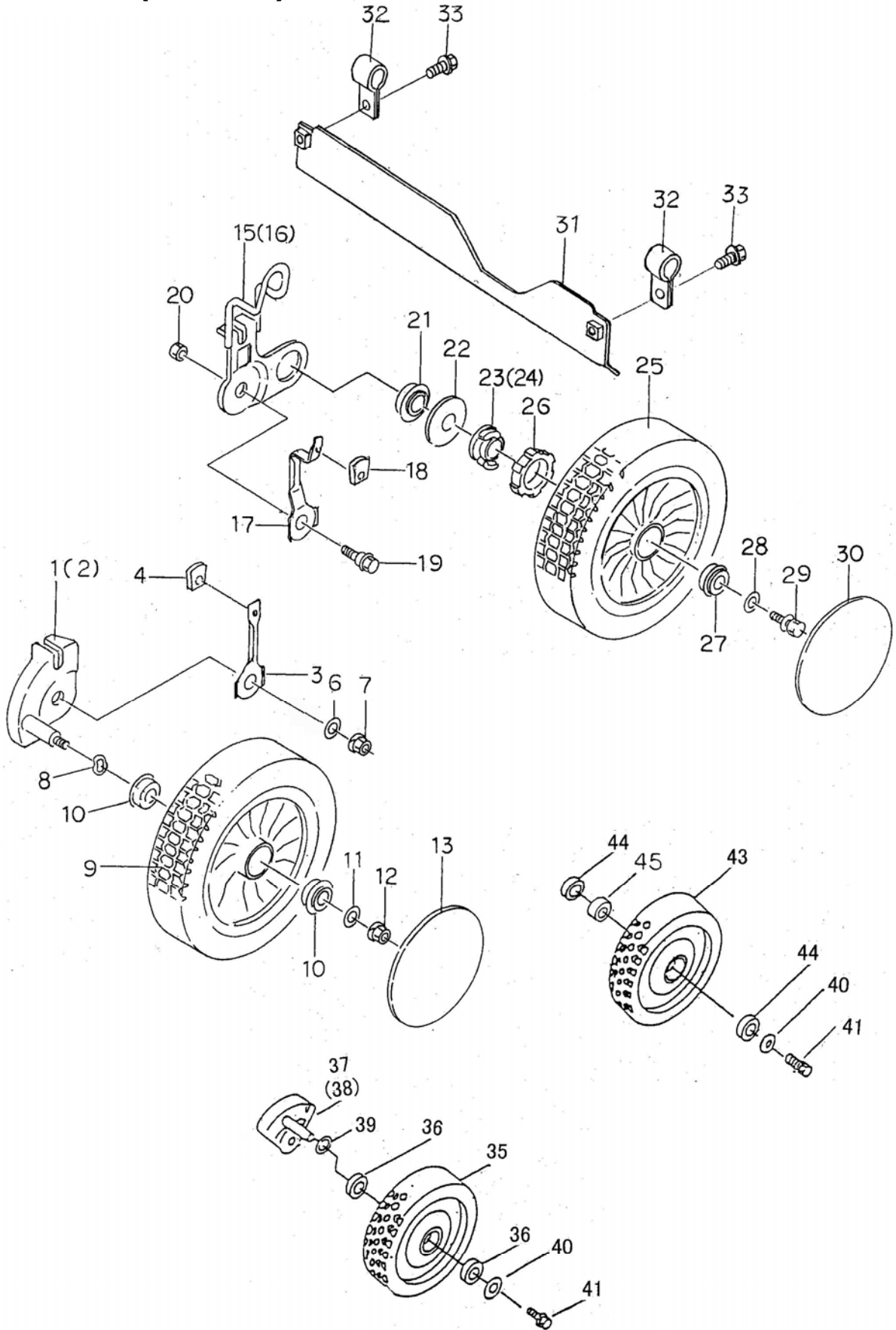


Fig.4 Wheel (GR535)

Ref.	Parts No.	Parts Name	Quantity		Remarks
			GR535	GR536	
			(2Action) GXV 160	(2Action) GXV 160	
1	0278-31500	Front Wheel Arm (L)	1		
2	0278-31600	Front Wheel Arm (R)	1		
3	80-1022-424-00	Front Wheel Arm Stopper	2		
4	80-1020-426-10	Adjuster Grip	2		
6	89-1713-080003	Flat Washer 8 (large)	2		
7	89-1543-080003	Mini Hexagonal Nut (SW) M8	2		
8	83-1022-369-00	Wave Washer 12	2		
9,10	80-1022-421-00	Front Wheel Assy			
9	80-1022-407-00	Front Wheel	2		
10	80-1022-431-00	Bearing KL-4.12	4		
11	89-1713-080003	Flat Washer 8 (large)	2		
12	89-1541-080003	Hexagonal Nut (SW) M8	2		
13	80-1022-441-00	Wheel Cap	2		
15	0278-30100	Rear Wheel Arm (Left)	1		
16	0278-30200	Rear Wheel Arm (Right)	1		
17	80-1022-425-00	Rear Wheel Arm Stopper	2		
18	80-1020-426-10	Adjuster Grip	2		
19	0278-70700	Arm Bolt	2		
20	89-1561-080003	Mini Hexagonal U Nut M8	2		
21	83-1020-987-00	Bearing ND-0.2	2		
22	80-1020-433-00	Coned Disc Spring	2		
23	80-1020-458-00	Ratchet Assembly (Left)	1		
24	80-1020-459-00	Ratchet Assembly (Right)	1		
25~27	80-1022-422-10	Rear Wheel Assy			
25	80-1022-408-10	Rear Wheel	2		
26	80-1020-409-00	Clutch Guide	2		
27	80-1022-432-10	Bearing 6902 ZZ	2		
28	89-1713-080003	Flat Washer 8 (large)	2		
29	89-1132-080203	Hexagonal Bolt (SW) M8*20	2		
30	80-1022-441-00	Wheel Cap	2		
31	80-1020-792-00	Flapper	1		
32	80-1020-793-10	Flapper Setting	2		
33	89-1133-060163	Hexagonal Bolt (PWSW) M6*16	2		
35~36	80-1020-481-00	Steel Front Wheel Assy (OLD)			*6) Note 2
	0278-33700	Steel Front Wheel Assy 8 inch (NEW)	2		*7)
35	80-1020-483-00	Steel Front Wheel CMP (OLD)	2		*6) Note 2
	0278-33100	Steel Front Wheel CMP 8 inch (NEW)			*7)
35-1	80-1020-485-00	Rubber Wheel (OLD)			*6) Note 2
	0278-33500	Rubber Wheel 8 inch (NEW)			*7)
35-2	80-1020-487-00	Steel Front Wheel (OLD)			*6) Note 2
	0278-33300	Steel Front Wheel 8 inch (NEW)			*7)
36	89-3115-062024	Bearing 6202 2RS	4		Note 2
37	0278-30500	Front Wheel Arm (L) 8inch	1		Note 2
38	0278-30600	Front Wheel Arm (R) 8inch	1		Note 2
39	83-1020-359-00	Wave Washer 16	2		Note 2
40	83-1415-344-00	Washer 9*22*2.0	4		Note 2
41	89-1132-080203	Hexagonal Bolt (SW) M8*20	4		Note 2
43~45	80-1020-482-00	Steel Rear Wheel Assy (OLD)			*6) Note 2
	0278-33800	Steel Rear Wheel Assy 8 inch (NEW)			*7)
43	80-1020-484-00	Steel Rear Wheel CMP (OLD)	2		*6) Note 2
	0278-33200	Steel Rear Wheel CMP 8 inch (NEW)			*7)

Fig.4 Wheel (GR535)

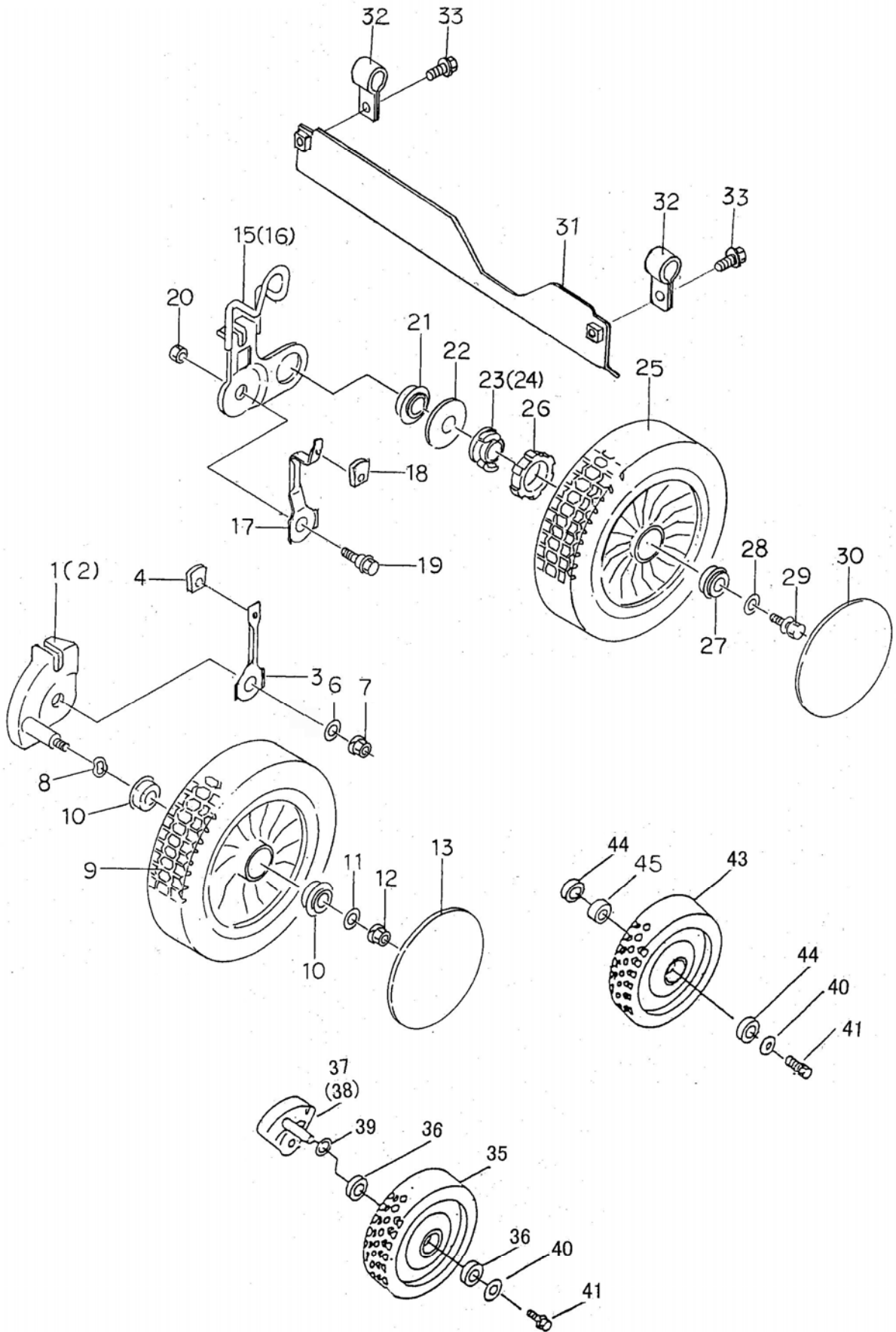


Fig.4 Wheel (GR535)

Ref.	Parts No.	Parts Name	Quantity		Remarks
			GR535	GR536	
			(2Action)	(2Action)	
			GXV 160	GXV 160	
43-1	80-1020-485-00	Rubber Wheel (OLD)			*6) Note 2
	0278-33500	Rubber Wheel 8 inch (NEW)			*7)
43-2	80-1020-488-00	Steel Rear Wheel (OLD)			*6) Note 2
	0278-33400	Steel Rear Wheel 8 inch (NEW)			*7)
44	89-3115-062024	Bearing 6202 2RS	4		Note 2
45	80-1020-486-00	Collar 25A*8L	2		Note 2

Fig.4 Wheel (GR536)

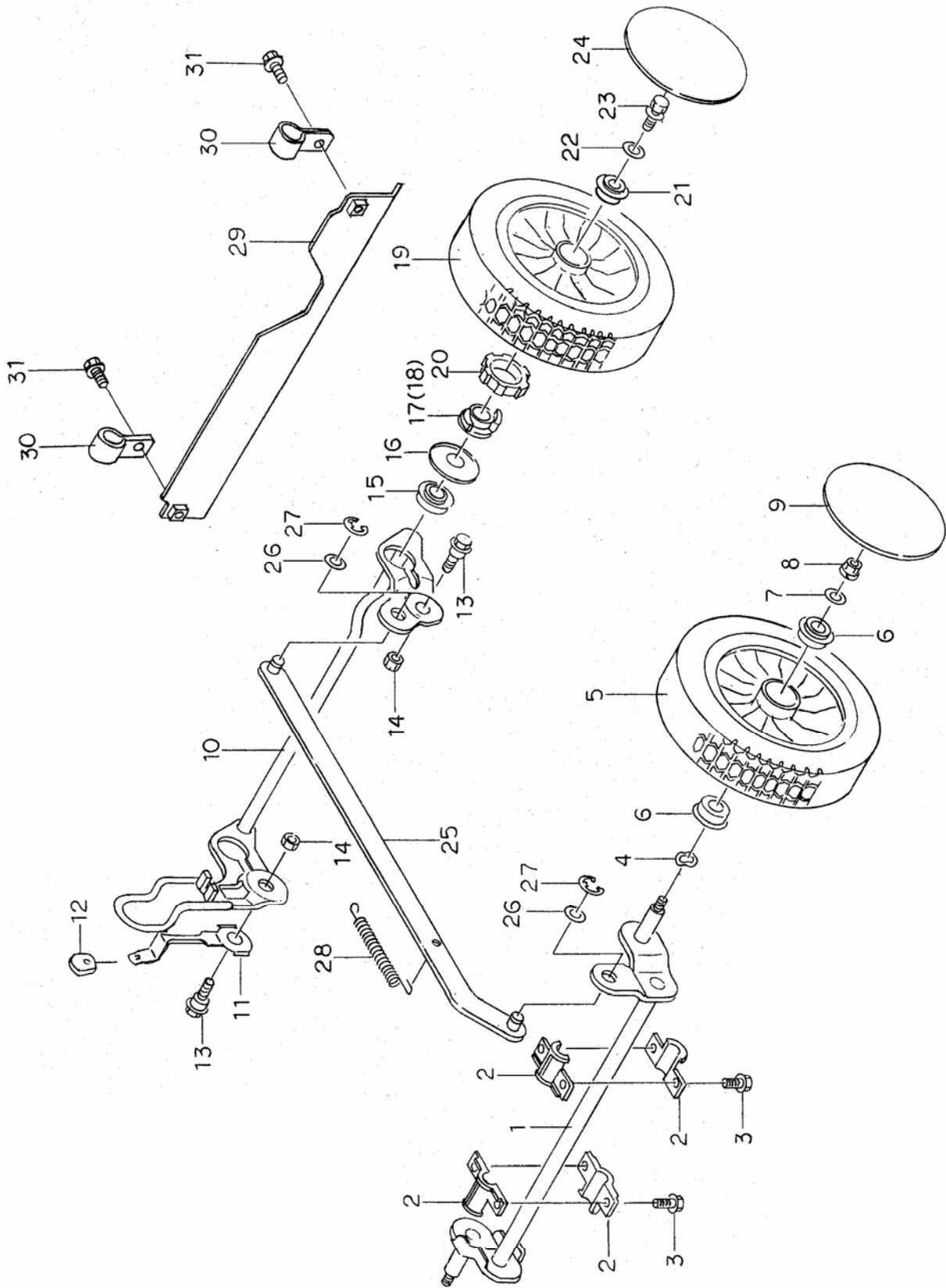


Fig.4 Wheel (GR536)

Ref.	Parts No.	Parts Name	Quantity		Remarks
			GR535	GR536	
			(2Action)	(2Action)	
			GXV 160	GXV 160	
1	80-1023-405-00	Front Wheel Arm		1	
2	80-1023-742-00	Arm Bush		4	
3	83-1020-148-00	Tapping Bolt M6*14		4	
4	83-1022-369-00	Wave Washer 12		2	
5,6	80-1022-421-00	Front Wheel Assy			
5	80-1022-407-00	Front Wheel		2	
6	80-1022-431-00	Bearing KL-4.12		4	
7	89-1713-080003	Flat Washer 8 (large)		2	
8	89-1541-080003	Hexagonal Nut (SW) M8		2	
9	80-1022-441-00	Wheel Cap		2	
10	0279-30200	Rear Wheel Arm		1	
11	80-1022-425-00	Rear Wheel Arm Stopper		1	
12	80-1020-426-10	Adjuster Grip		1	
13	0278-70700	Arm Bolt		2	
14	89-1561-080003	Mini Hexagonal U Nut M8		2	
15	83-1020-987-00	Bearing ND-0.2		2	
16	80-1020-433-00	Coned Disc Spring		2	
17	80-1020-458-00	Ratchet Assembly (Left)		1	
18	80-1020-459-00	Ratchet Assembly (Right)		1	
19~21	80-1022-422-10	Rear Wheel Assy			
19	80-1022-408-10	Rear Wheel		2	
20	80-1020-409-00	Clutch Guide		2	
21	80-1022-432-10	Bearing 6902 ZZ		2	
22	89-1713-080003	Flat Washer 8 (large)		2	
23	89-1132-080203	Hexagonal Bolt (SW) M8*20		2	
24	80-1022-441-00	Wheel Cap		2	
25	80-1023-416-00	Translation Bar		1	
	80-1023-416-10	Translation Bar			*1)
26	89-1713-100003	Flat Washer 10 (large)		2	
27	89-2521-000083	E Type Ring 8		2	
28	80-1023-417-00	Translation Spring		1	
29	0222-30100	Flapper CMP		1	
30	80-1020-793-10	Flapper Setting		2	
31	89-1133-060163	Hexagonal Bolt (PWSW) M6*16		2	

Fig.5 Handle

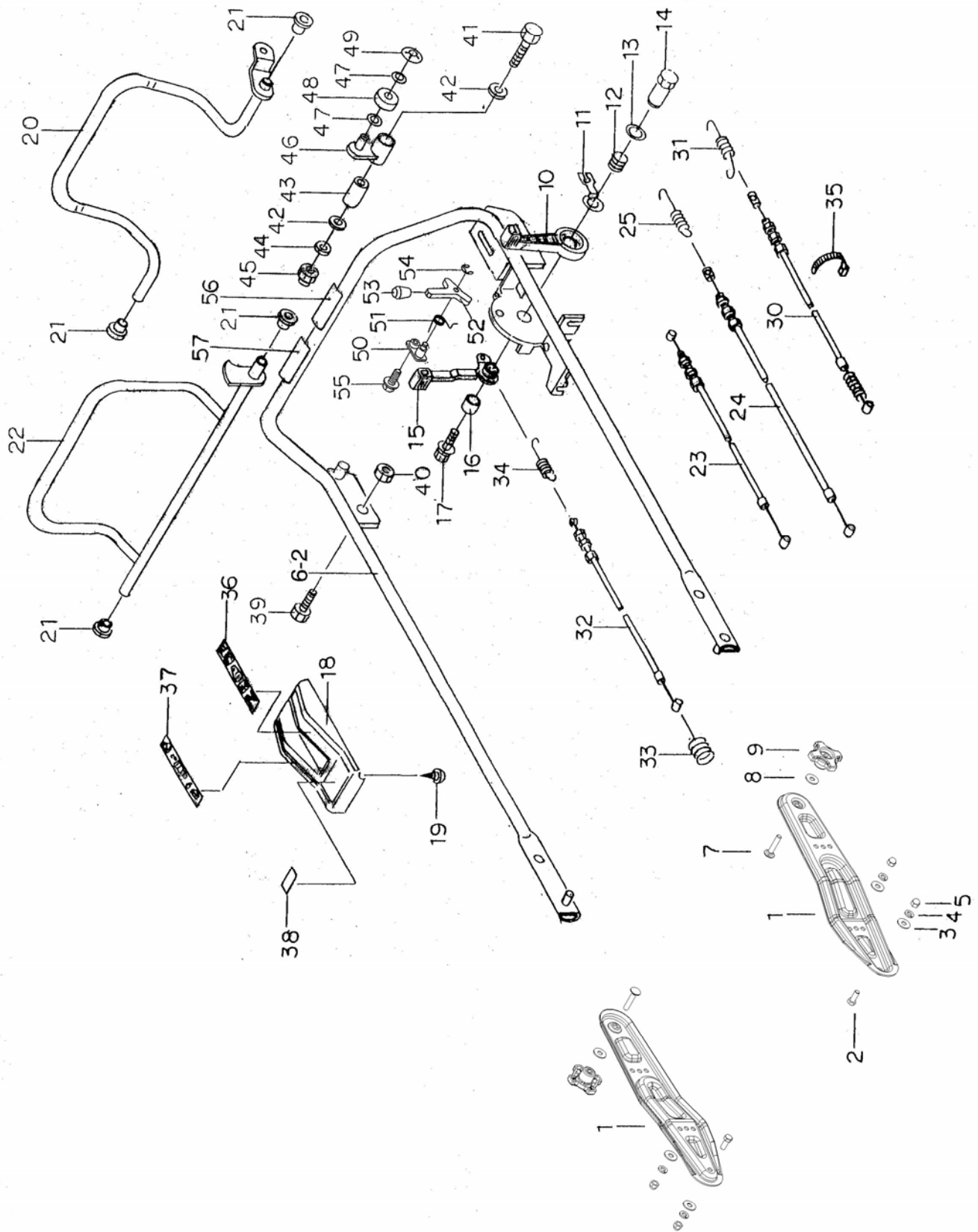


Fig.5 Handle

Ref.	Parts No.	Parts Name	Quantity		Remarks
			GR535	GR536	
			(2Action)	(2Action)	
			GXV 160	GXV 160	
1	0278-10200	Handle Setting	2	2	
2	89-1113-080253	Hexagonal Bolt (8T) M8*25	2	2	
3	89-1711-080003	Flat Washer 8	4	4	
4	89-1750-080003	Spring Washer 8	4	4	
5	89-1571-080043	Cap Nut M8	4	4	
6	0230-10200	Handle C	1	1	*6)
	0278-10100	Handle PRO (φ25.4)	1	1	*1) *7)
7	89-1412-080403	Handle Setting Bolt M8*40	2	2	
8	89-1711-080003	Flat Washer 8	2	2	
9	80-1020-228-10	Knob Nut M8	2	2	
10	80-1020-265-00	Throttle Lever (H)	1	1	
11	80-1020-264-00	Control Washer	1	1	
12	80-1020-263-00	Control Lever Shaft Spring	1	1	
13	89-1711-120003	Flat Washer 12	1	1	
14	80-1020-262-00	Control Lever Shaft	1	1	
15	80-1022-260-00	Driving Change Lever	1	1	
16	80-1020-270-00	Inner Collar	1	1	
17	89-1133-080303	Hexagonal Bolt (PWSW) M8*30	1	1	
18	80-1020-231-00	Control Cover	1	1	
19	89-1161-050123	Tapping Screw 5*12	2	2	
20	80-1022-242-00	Driving Lever	1	1	
21	80-1020-243-00	Driving Lever, Metal	4	4	
22	80-1022-252-00	Blade Lever			*2)
	0276-10300	Blade Clutch Lever	1	1	*1) *3)
23	83-1020-955-00	Throttle Wire (H)	1	1	
24	0278-71100	Blade Wire V	1	1	
25	80-1021-968-10	Blade Spring VB	1	1	
30	83-1020-932-00	Driving Wire V			
	0279-73200	Driving Wire	1	1	*1)
31	80-1022-966-10	Driving Clutch Spring	1	1	
32	83-1020-936-00	Driving Change Wire V	1	1	
33	80-1020-969-00	Change Return Spring	1	1	
34	80-1020-967-00	Driving Change Spring	1	1	
35	83-1415-718-00	Wire Band 150	2	2	
36	80-1020-913-10	Throttle Label (H)	1	1	
37	80-1020-912-10	Change Label	1	1	
39	89-1113-080303	Hexagonal Bolt (8T) M8*30	1	1	
40	89-1511-080043	Hexagonal Nut M8	1	1	
41	89-1113-080503	Hexagonal Bolt (8T) M8*50	1	1	
42	89-1713-080003	Flat Washer 8 (large)	2	2	
43	80-1022-254-00	Inner Pipe 13.8*30	1	1	
44	89-1750-080003	Spring Washer 8	1	1	
45	89-1571-080043	Cap Nut M8	1	1	
46	80-1021-252-00	Blade Wire Arm	1	1	
47	83-1020-395-00	Shim Washer 8*12*0.8	2	2	
48	80-1021-253-00	Roller	1	1	With Bush 08.07
49	83-1021-195-00	Push Nut 8	1	1	
50	0230-10500	Lock Lever Shaft CMP	1	1	
51	0230-70700	Spring for Lock Lever Return	1	1	
52	0230-10400	Lock Lever	1	1	
53	83-1920-425-00	Lever Grip KP204	1	1	

Fig.5 Handle

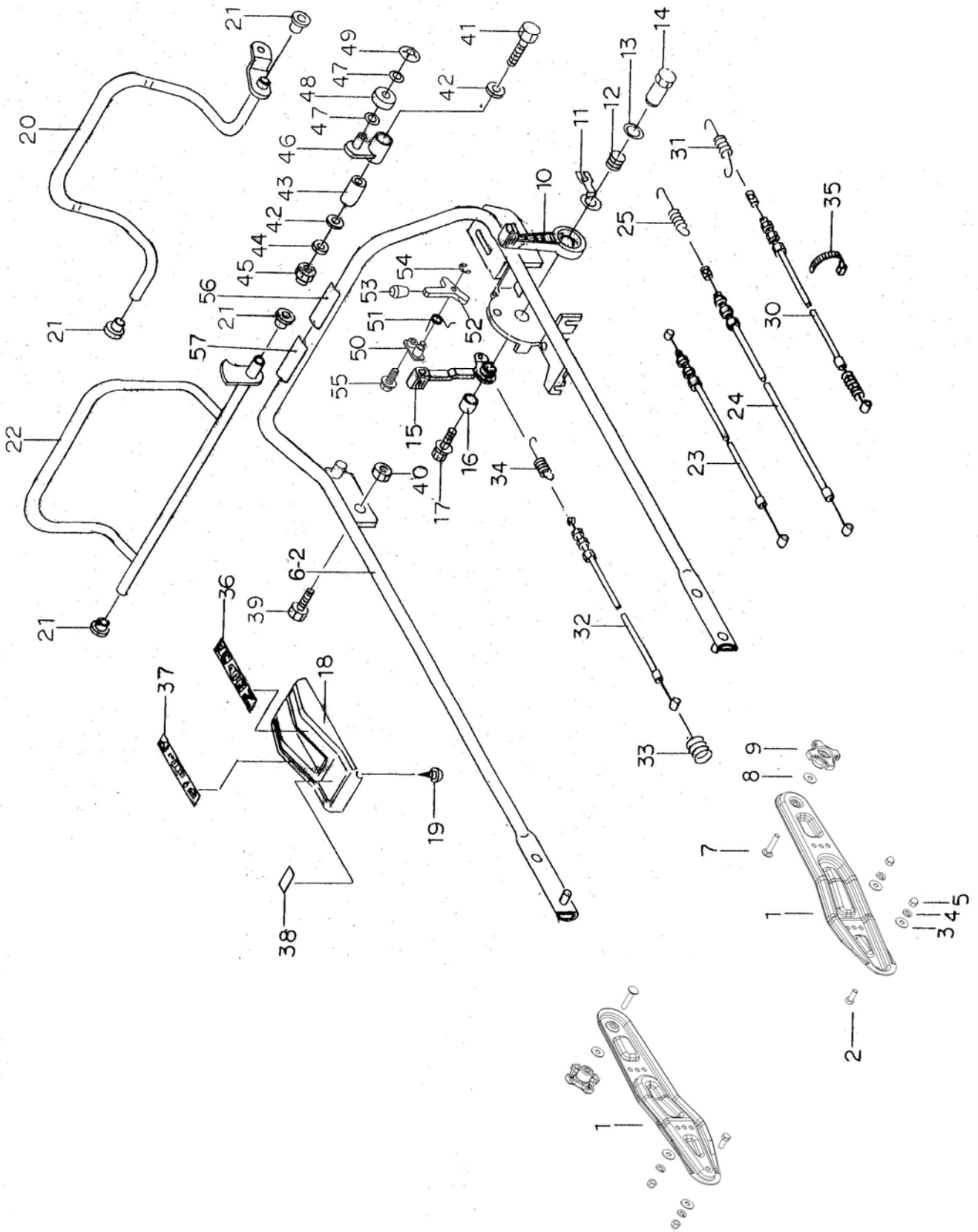


Fig.5 Handle

Ref.	Parts No.	Parts Name	Quantity		Remarks
			GR535	GR536	
			(2Action)	(2Action)	
54	89-2521-000050	E Type Ring 5	1	1	
55	89-1139-060163	Hexagonal Bolt (PWSW) M6*16	1	1	
56	0230-71200	Blade Label	1	1	
57	0230-71300	Driving Label	1	1	

Fig.6 Blade and Bag

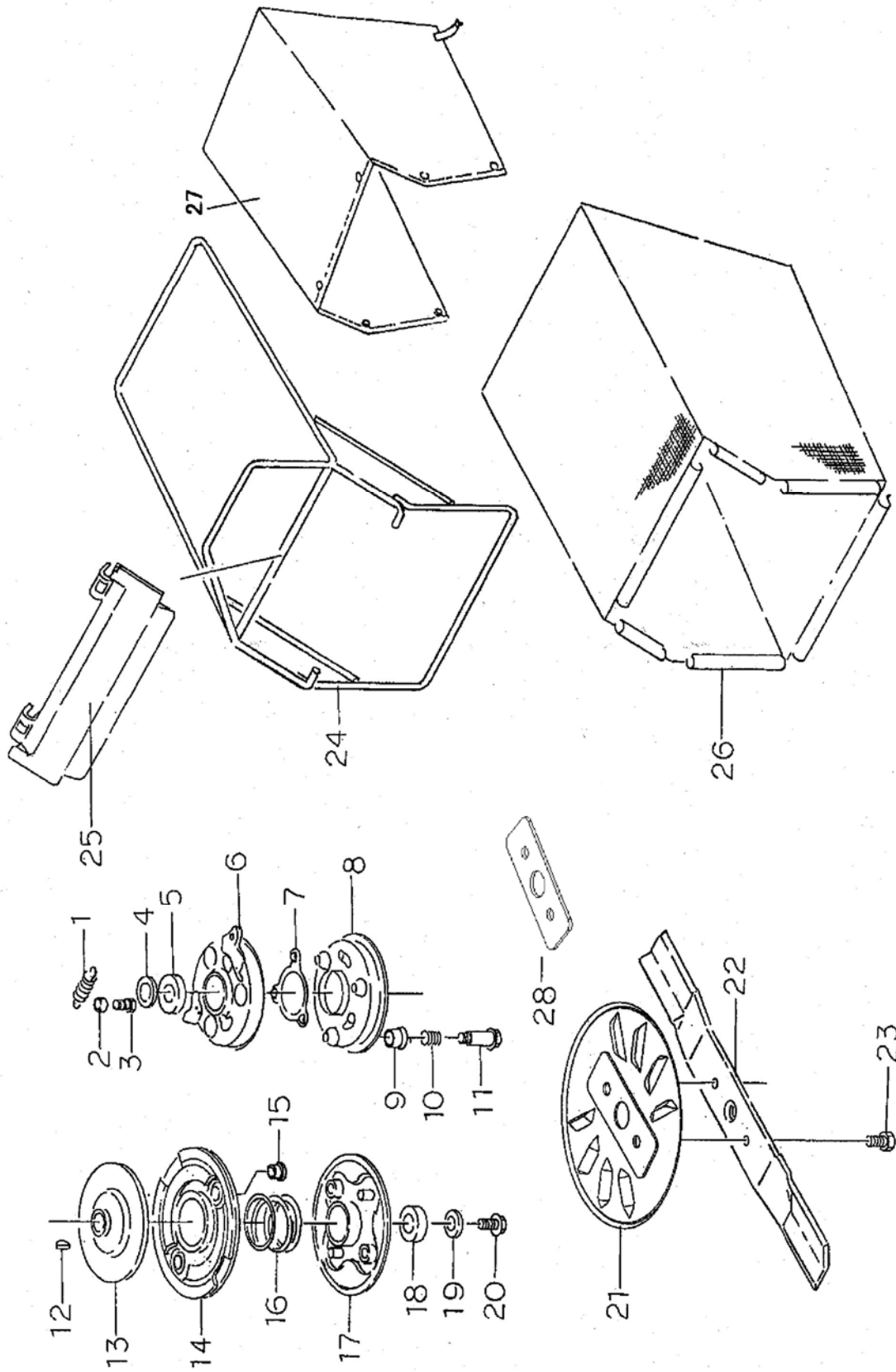


Fig 6 Blade and Bag

Ref.	Parts No.	Parts Name	Quantity		Remarks
			GR535	GR536	
			(2Action)	(2Action)	
			GXV 160	GXV 160	
1	80-1020-871-00	Clutch Return Spring (H)	2	2	
2	80-1020-872-00	Collar (H)	2	2	
3	83-1020-148-00	Tapping Bolt M6*14	2	2	
4	80-1020-874-00	Thrust Washer (H)	1	1	
5	80-1020-875-00	Ball Bearing (H)	1	1	
6	0278-70600	Blade (H)Assy	1	1	
7	80-1020-877-00	Ball Retainer (H)	1	1	
8	80-1020-878-00	Blade Disc (H) Assy	1	1	with Bush (H)
9	80-1020-879-00	Bush (H)	3	3	
10	80-1020-881-00	Spring (H)	3	3	
11	80-1020-882-00	Blade Setting Bolt (H)	3	3	
12	80-1020-892-00	Woodruff Key 4*16	1	1	
	89-2160-040160	Woodruff Key 4*16*6.5			*1)
13	80-1020-883-00	Drive Disc (H)	1	1	
14	80-1020-884-00	Driven Disc (H) Assy	1	1	
15	80-1020-885-00	Bush (H)	2	2	
16	80-1020-886-00	Clutch Spring (H)	1	1	
17	80-1020-887-00	Ball Control Plate (H) Assy	1	1	
18	80-1020-888-00	Ball Bearing (H)	1	1	
19	83-1020-323-00	Washer 10*30*4.5	1	1	
20	89-1254-100252	Flange Mini Hexagonal Bolt M10*25 P=1.2	1	1	
21	0222-50100	BBC Cover CMP	1	1	(option)
22	80-1020-821-10	Blade 530	1	1	
23	89-1254-100252	Flange Mini Hexagonal Bolt M10*25 P=1.2	2	2	
24	0278-20100	Bag Flame	1	1	
25	80-1022-854-00	Bag Plate	1	1	
26	0230-70400	Bag C	1	1	
	80-1022-856-00	Bag C (with Hook)	1	1	(option)
	0278-71500	Bag DB (sew a dustproof cover)	1	1	(option)
27	0230-71400	Dustproof Cover	1	1	(option)
28	0230-50100	Blade Spacer 4.5H (H)	1	1	